



SUNTUF[®] EZ Glaze

Corrugated Polycarbonate Sheet

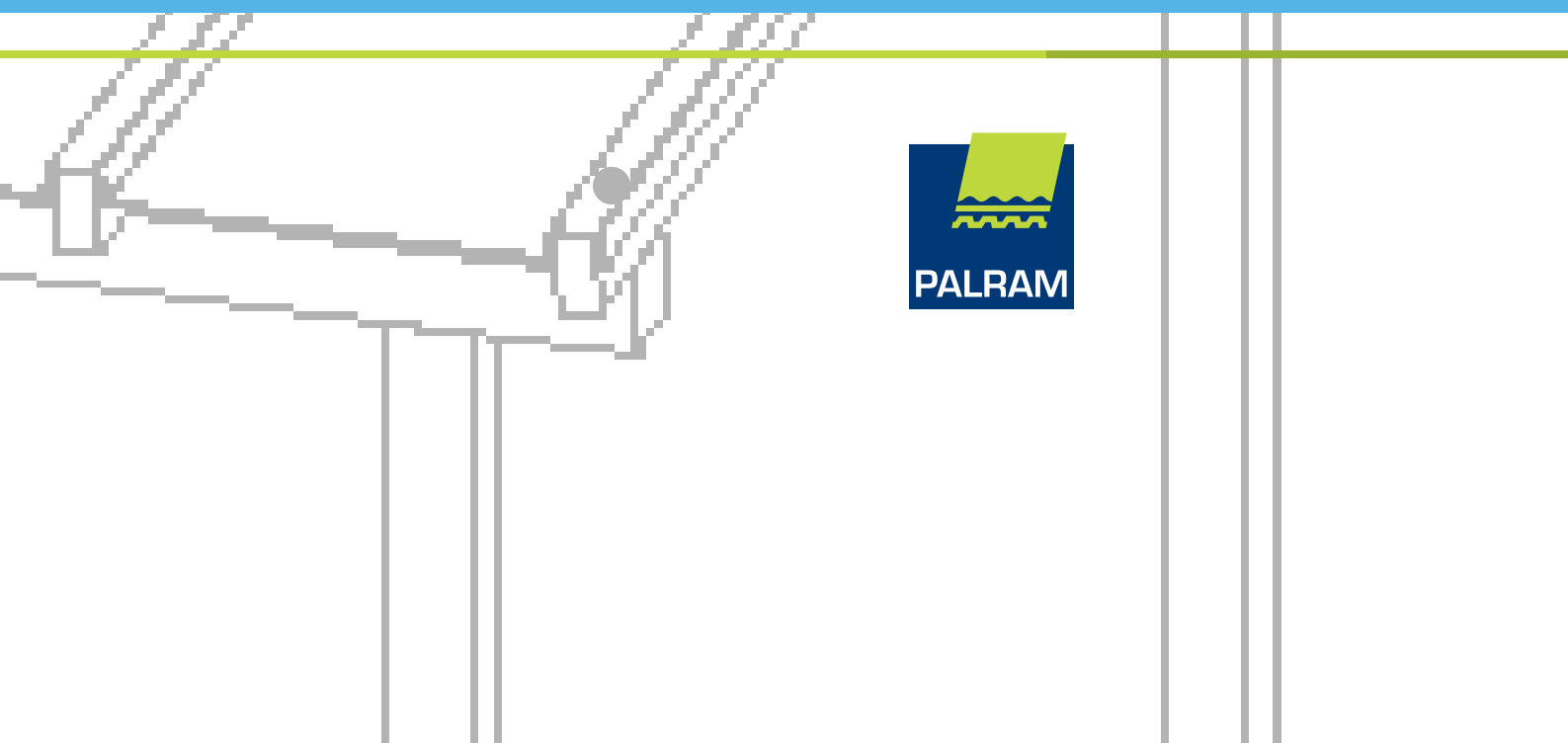


Overview

SUNTUF® EZ Glaze offers smart design, elegant glass-like appearance, versatility, low maintenance and sustainable performance.

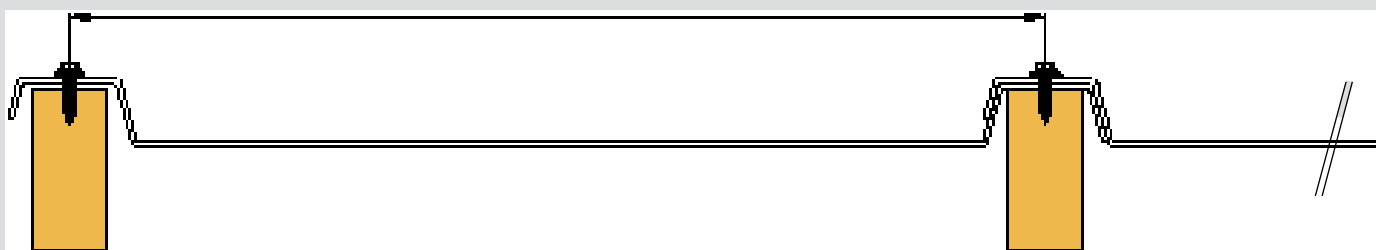
SUNTUF® EZ Glaze incorporates a proprietary profiled design which enables it to be installed over rafters with a high loading capacity.

SUNTUF® EZ Glaze is easy to fasten; the panels are simply screw fixed to the supportive structure and joined by overlapping.





600 mm



SUNTUF® EZ Glaze



SUNTUF® EZ Glaze Main Benefits

- Clear and elegant appearance
- Easy, fast and safe installation
- Minimal maintenance
- UV Protection - blocks 99.9% of UV radiation
- Greater hail resistance
- High wind and snow load resistance
- No need to climb on the roof to install

SUNTUF® EZ Glaze Typical Applications



Pergolas and
Gazebos



Patio
enclosures



Sunrooms

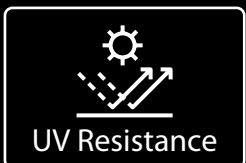
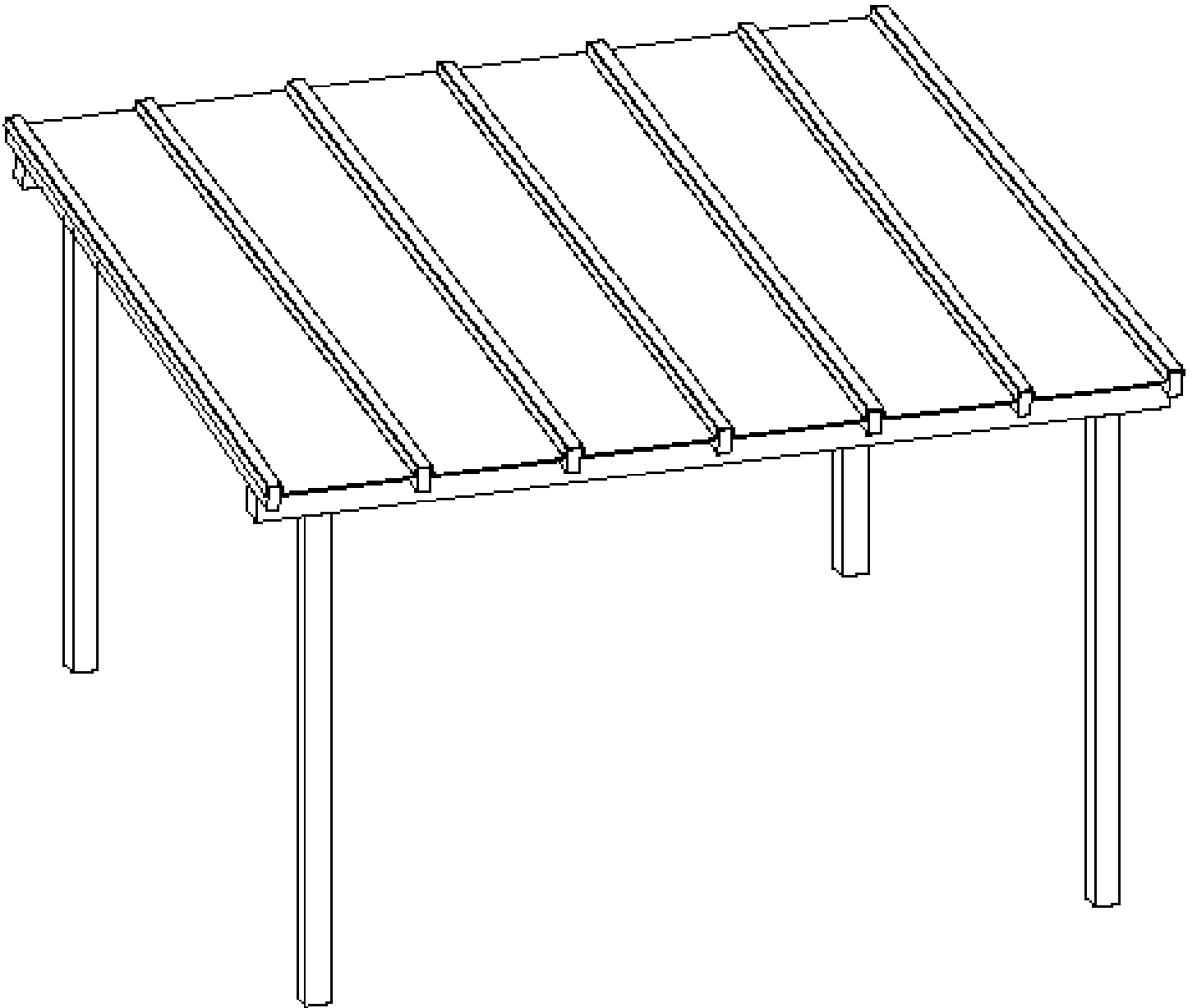


Carports



SUNTUF® EZ Glaze

Installation Guide



UV Resistance



Snow Load



Wind Resistance



Aesthetics

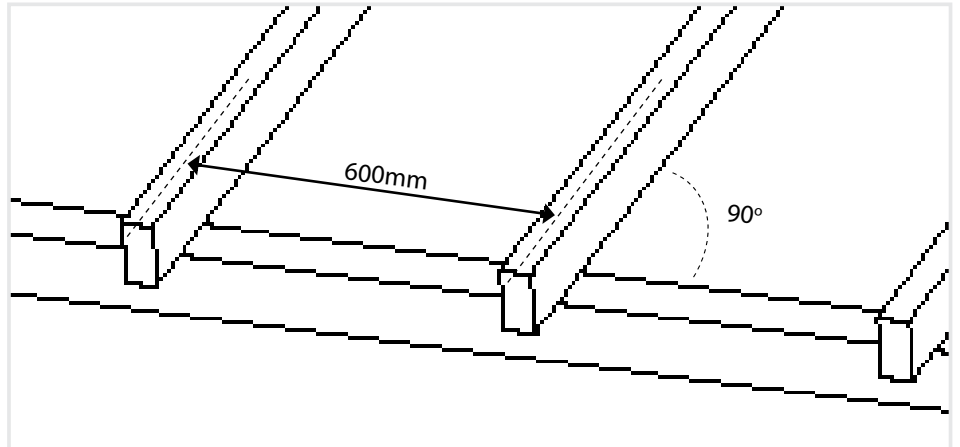


Easy To Install

Installation

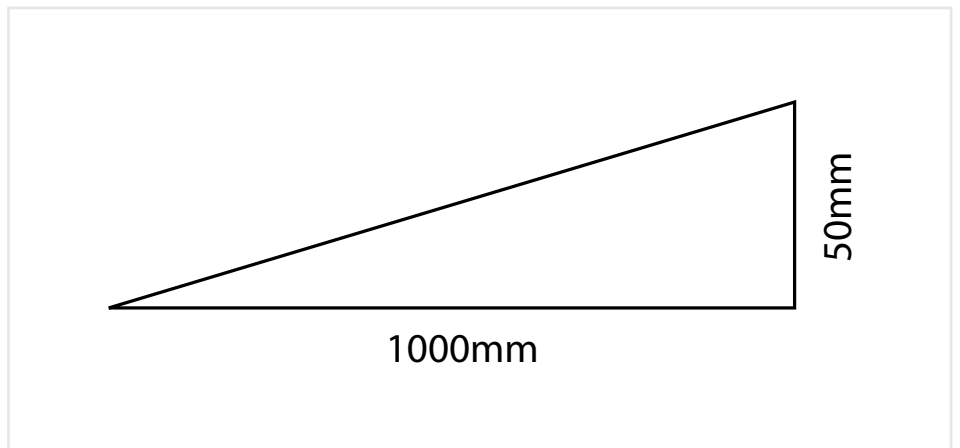
1 Rafter spacing

- Distance between rafters must be 600 mm (center to center).
- Make sure the rafters are perfectly perpendicular to the beams/wall.
- SUNTUF EZ Glaze requires rafters support only, no purlins are required.



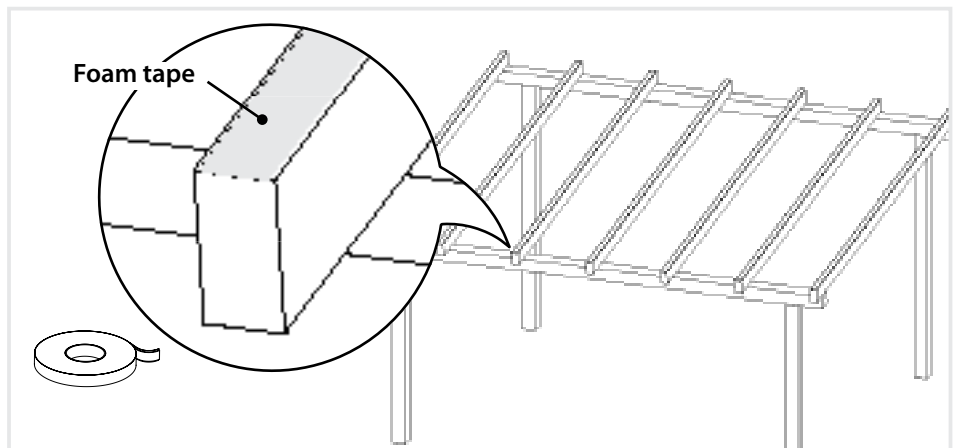
2 Minimum Roof Slope

To ensure proper water runoff, slope should be at least 5% (50mm rise over 1m length).



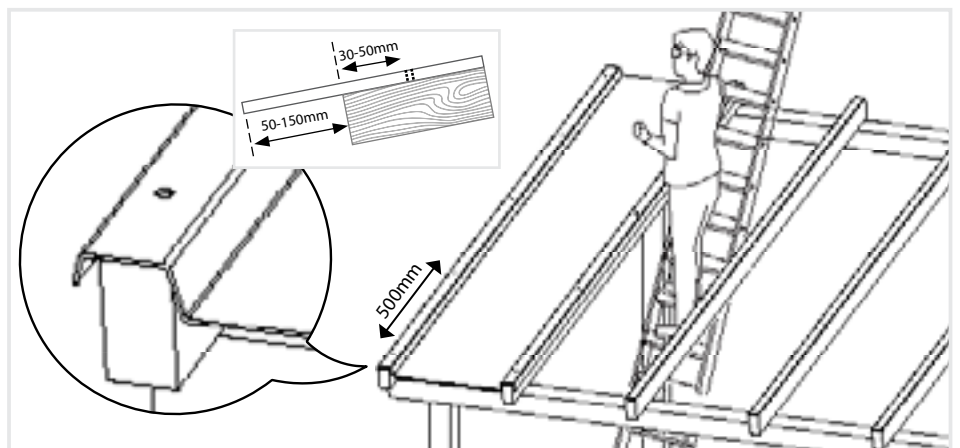
3 Foamed tape application (optional)

Applying foamed tape on each rafter will reduce friction due to thermal expansion.



4 Placing the 1st SUNTUF EZ Glaze panel

- Place the first SUNTUF EZ Glaze panel on the rafters, leaving 50-150mm overhang.
- Pre-drill 10 mm holes along the outer corrugation, every 500mm.
- 1st and last drills should be located 30mm-50mm from the rafter's top and bottom edges.



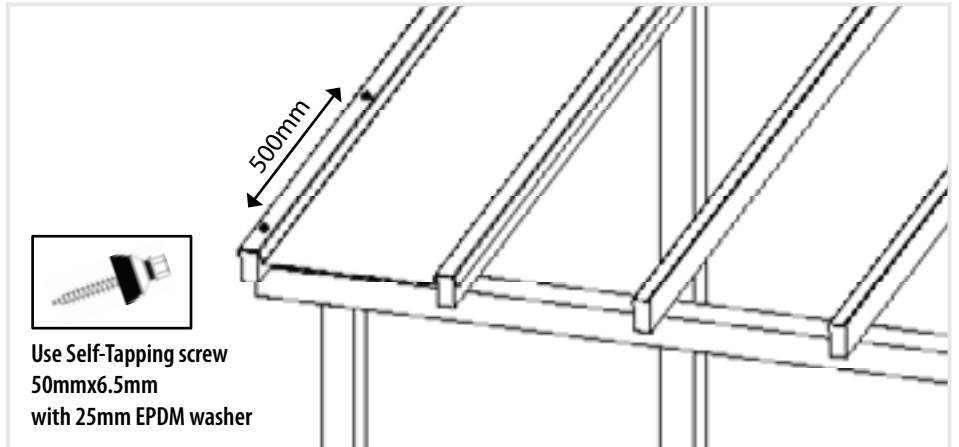
Installation

5 Fixing the 1st SUNTUF EZ Glaze panel

Fix the first SUNTUF EZ Glaze panel's outer corrugation, using specified screws and washers through the pre-drilled holes. Start at the bottom edge and work your way up.

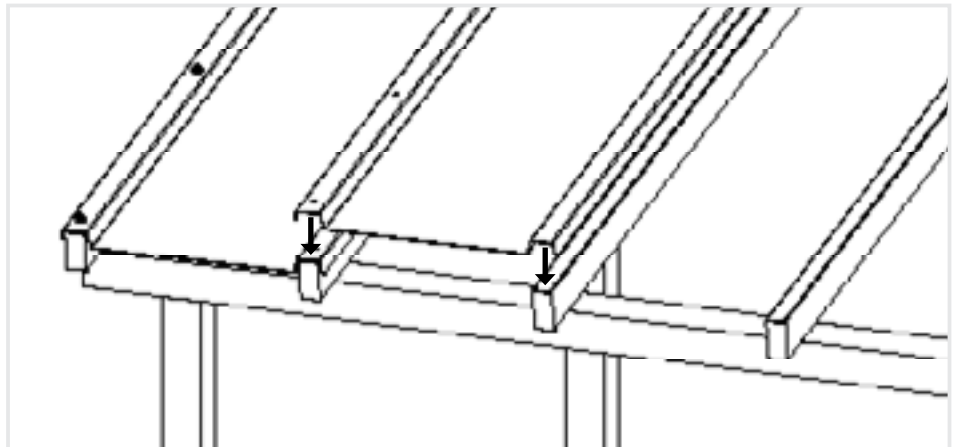


Use Self-Tapping screw
50mmx6.5mm
with 25mm EPDM washer



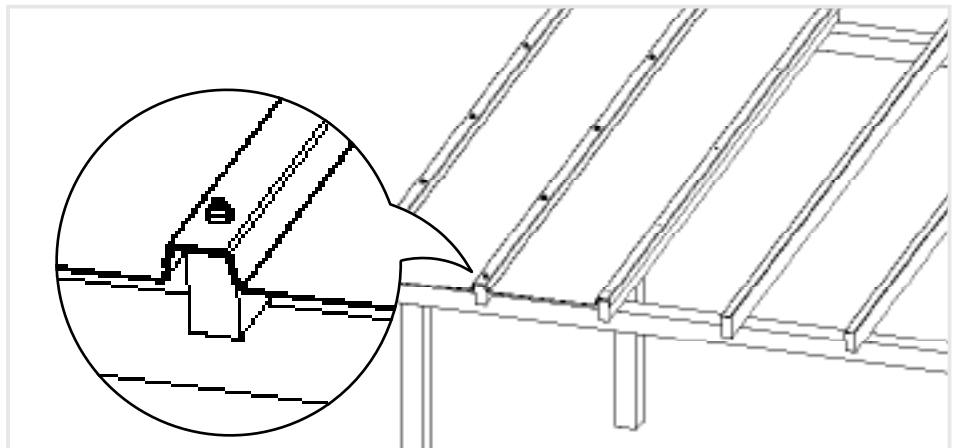
6 Placing the 2nd SUNTUF EZ Glaze panel

- Place the second panel, lateral overlapping the first one.
- Pre-Drill both panels together on the lateral overlap, every 500mm.



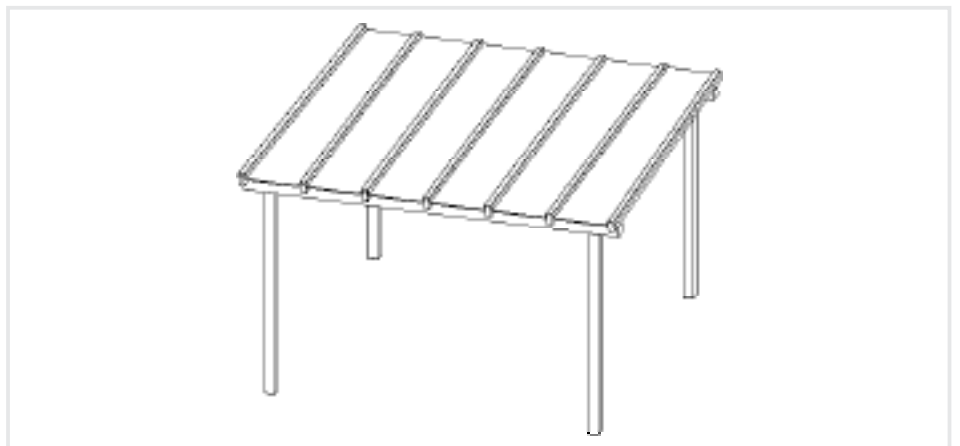
7 Fixing the 2nd SUNTUF EZ Glaze panel

Fix both panels overlap, using specified screws and washers through the pre-drilled holes. Start at the bottom edge and work your way up.



8 Completing the installation

Repeat stage 6 & 7 with the remaining panels.



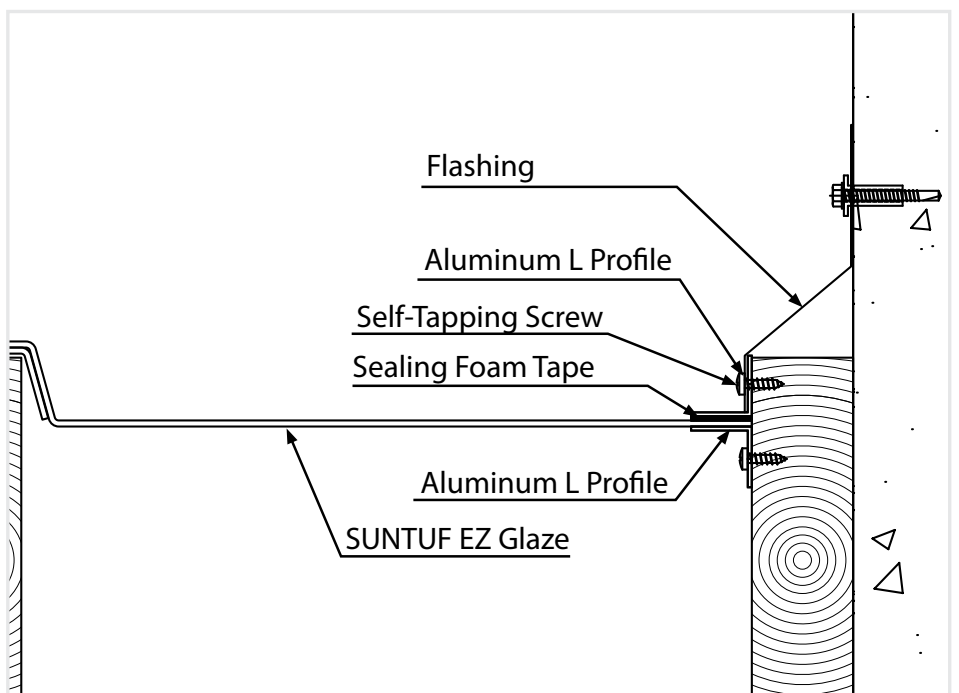
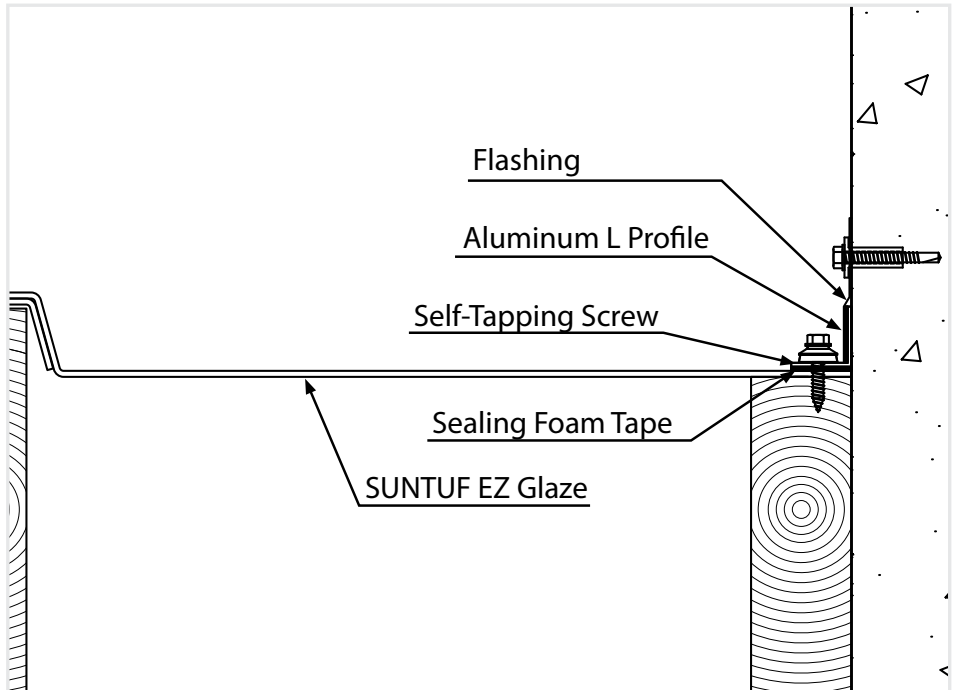
Installation

Safety above all

Do not step directly on the sheets between the rafters!
When installing SUNTUF EZ Glaze or doing maintenance work, always use stepping ladders or crawling boards, supported by minimum three roof structural elements.



Flashing





Product Availability

Colors	Solar Grey Bluish Breeze Clear Embossed
Thickness	3 mm
Cover Width	600 mm
Maximum Length	7,000 mm

Solar Properties

	LT (%)	SC*	SHGC**
Clear	90	1.0	0.87
Solar Grey	20	0.51	0.44
Bluish Breeze	70	0.63	0.55

*Shading Coefficient

**Solar Heat Gain (SHGC)

Loads Resistance

Snow Load - up to 400 kg/m²

* Maximum recommended single unit length is 7000mm

Flammability

SUNTUF® EZ Glaze complies with the most demanding international fire resistance standards in the field of plastic.

■ European Standard: EN 13501 - B s1, d0

*For more detailed information please contact your Palram distributor.







PALRAM H.Q.

Tel: +972 4 8459900
 Fax: +972 4 8444012
 palram@palram.com
 www.palram.com

PALRAM EUROPE LTD.

Tel: +44 1302 380777
 Fax: +44 1302 380788
 sales.europe@palram.com

PALRAM AMERICAS

Tel: 610 2859918
 Fax: 610 2859928
 palramamericas@palram.com
 www.palram.com/us/



602389 - 09/2021

In as much as Palram Industries has no control over the use to which others may put the material, it does not guarantee that the same results as those described herein will be obtained. Each user of the material should make his own tests to determine the material's suitability for his own particular use. Statements concerning possible or suggested uses of the materials described herein are not to be construed as constituting a license under any Palram Industries patent covering such use or as recommendations for use of such materials in the infringement of any patent. Palram Industries or its distributors cannot be held responsible for any losses incurred through incorrect installation of the material. In accordance with our company policy of continual product development you are advised to check with your local Palram Industries supplier to ensure that you have obtained the most up to date information.

©1997 Palram Industries Ltd. | SUNTUF is a registered trademark of Palram Industries Ltd.

